

# theMova S360-100 AP BK

Item no.: 1030552

**theben**

Presence and motion detectors  
Indoor detectors

## Description

- Passive infra-red motion detector for ceiling installation
- Circular detection area 360°, up to Ø 9 m (64 m²)
- Automatic motion and brightness-dependent control for lighting
- Mixed light measurement
- Channel A light: relay, 230 V
- Operation as fully automatic device
- Brightness switching value configurable, teach-in function
- Pulse function for staircase light time switch
- Time delay configurable
- Detection sensitivity configurable
- Test mode for checking function and detection area
- Ready for immediate use due to factory presetting (Brightness switching value 300 lux, Time delay 10 min.)
- One of these optional remote controls is required for changing the values and attitudes:
  - Management remote control SendaPro
  - Installation remote control theSenda P
  - Optional user remote control: theSenda S



## Technical data

theMova S360-100 AP BK	
Operating voltage	230 V AC
Frequency	50 Hz

theMova S360-100 AP BK	
Installation height	2 – 4 m
Installation type	Ceiling installation

Subject to technical changes and misprints

additional information at: [www.theben.de/product/1030552](http://www.theben.de/product/1030552)

The load data are determined with exemplary selected illuminants and are therefore typical data due to the large number of available products.

# theMova S360-100 AP BK

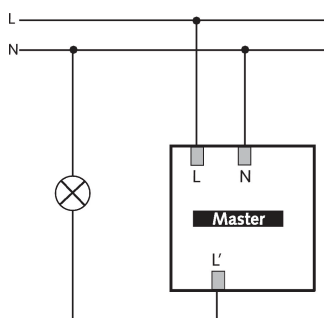
Item no.: 1030552

**theben**

## Technical data

theMova S360-100 AP BK		theMova S360-100 AP BK	
Colour	Black	Compact and fluorescent lamps	1150 VA (cos $\phi$ = 0,5)
Switching output	Light	Inrush current	max. 400 A / 200 $\mu$ s
Power consumption	~0.5 W	LED lamp < 2 W	25 W
Light measurement	Mixed light measurement	LED lamp 2-8 W	250 W
Setting range brightness	30 – 3000 lx	LED lamp > 8 W	250 W
Light switch-off delay	10 s - 60 min	Type of connection	Spring terminals
Type of contact light	Relay 230 V/10 A $\mu$ -contact	Detection range	50 m <sup>2</sup> ( $\varnothing$ 8 m   360°)
Lamps	Incandescent/halogen lamps, fluorescent lamps, Energy saving lamps, LEDs	Detection angle	360°
Incandescent/halogen lamp load	2300 W	Ambient temperature	-15°C ... 50°C
		Type of protection	IP 54 (when fitted)

## Connection example



## Detection range for planning applications at a temperature of 21 °C

Mounting height (A)	Head on to (R)	Diagonally (t)
2 m	5 m <sup>2</sup>   2.5 m	38 m <sup>2</sup>   7 m
2.5 m	7 m <sup>2</sup>   3 m	38 m <sup>2</sup>   7 m
3 m	13 m <sup>2</sup>   4 m	50 m <sup>2</sup>   8 m
3.5 m	13 m <sup>2</sup>   4 m	50 m <sup>2</sup>   8 m
4 m	13 m <sup>2</sup>   4 m	64 m <sup>2</sup>   9 m

Subject to technical changes and misprints

additional information at: [www.theben.de/product/1030552](http://www.theben.de/product/1030552)

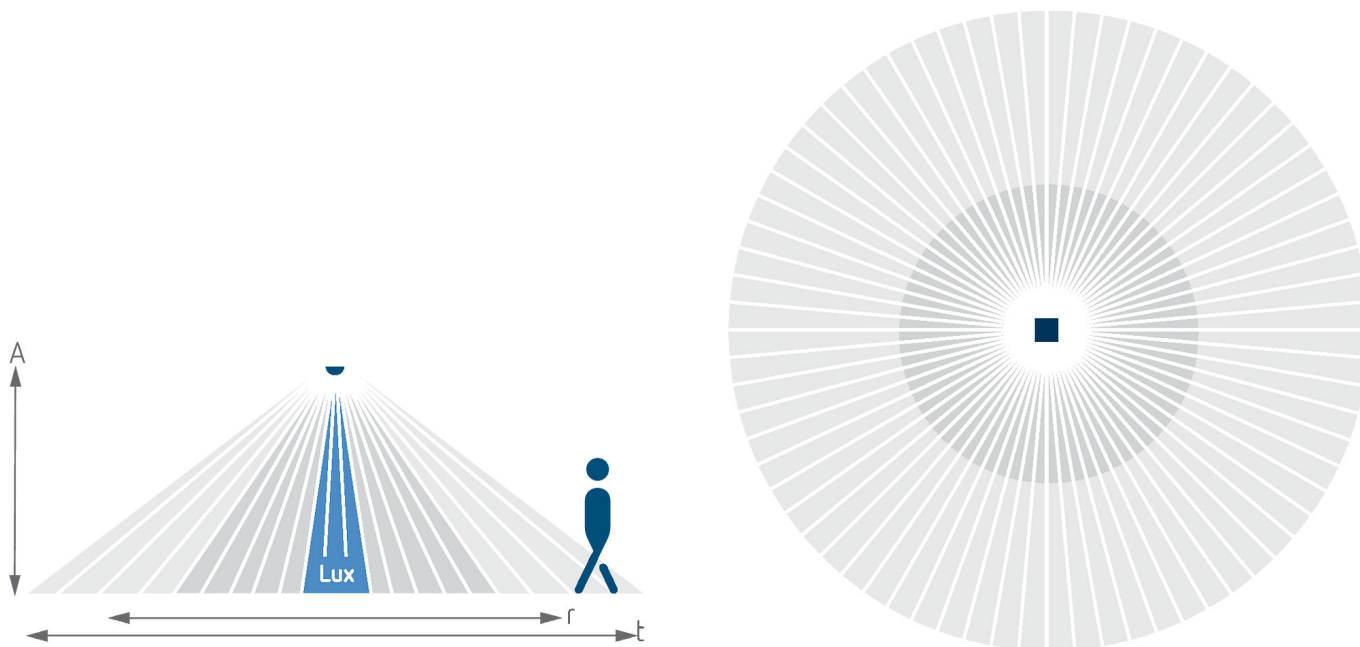
The load data are determined with exemplary selected illuminants and are therefore typical data due to the large number of available products.

# theMova S360-100 AP BK

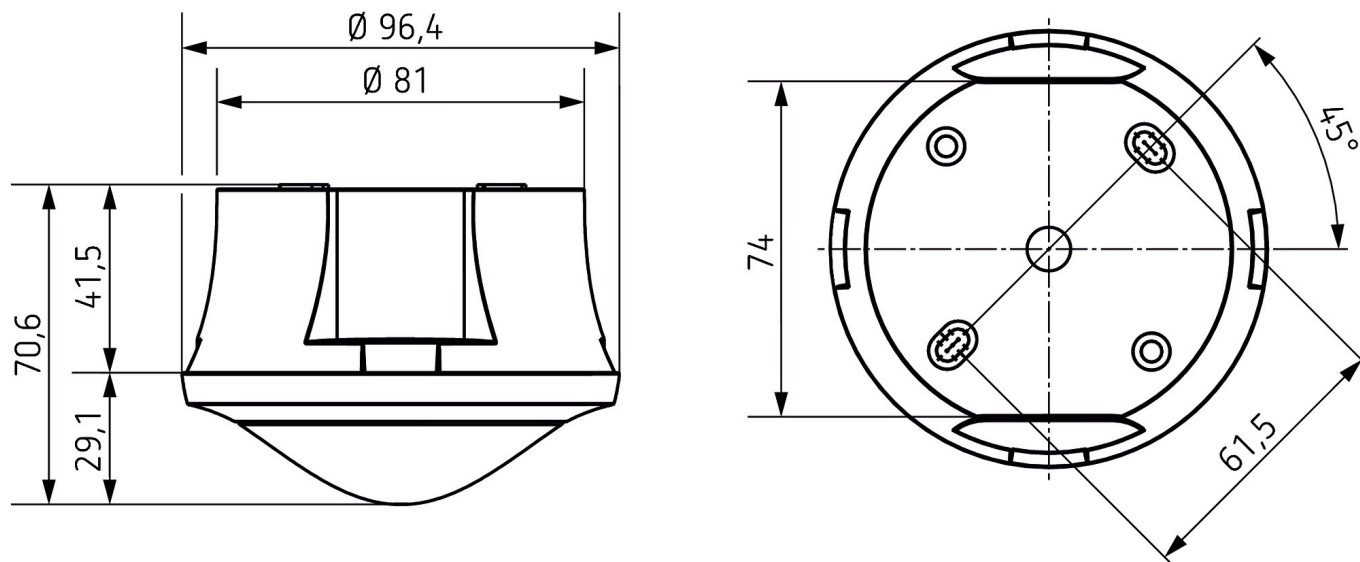
Item no.: 1030552

**theben**

Detection range for planning applications at a temperature of 21 °C



## Scale drawings



Subject to technical changes and misprints

additional information at: [www.theben.de/product/1030552](http://www.theben.de/product/1030552)

The load data are determined with exemplary selected illuminants and are therefore typical data due to the large number of available products.

# theMova S360-100 AP BK

Item no.: 1030552

# theben

## Accessories

---

### theSenda P

Item no.: 9070910



### theSenda S

Item no.: 9070911



### theSenda B

Item no.: 9070985



Subject to technical changes and misprints

additional information at: [www.theben.de/product/1030552](http://www.theben.de/product/1030552)

The load data are determined with exemplary selected illuminants and are therefore typical data due to the large number of available products.